

# KR Electronics

## General Description

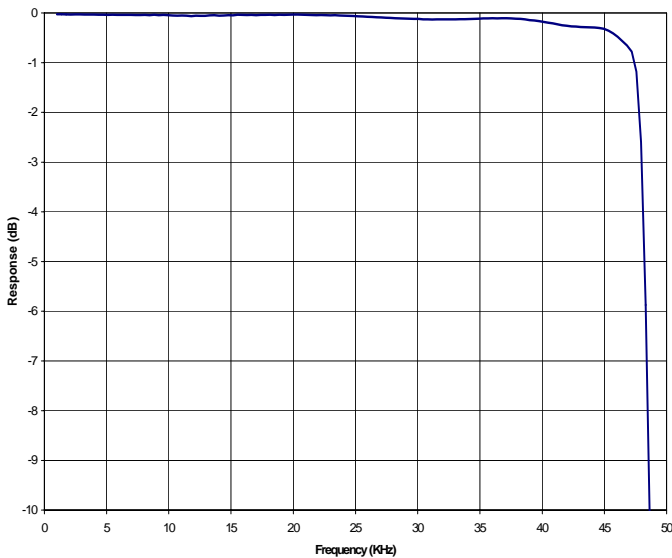
KR 2826 is a 45 KHz lowpass filter. The filter has a minimum 1.5 dB bandwidth of 45 KHz and greater than 30 dB at 50 KHz. Other passband frequencies are available. Please consult the factory.

### Features

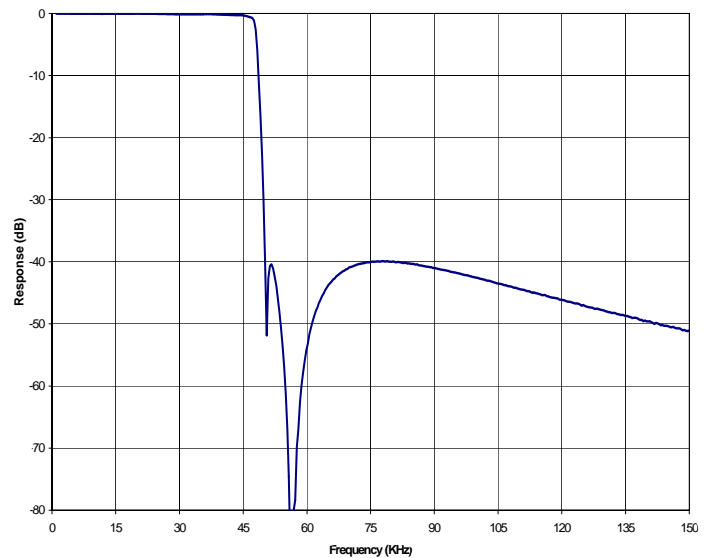
- 45 KHz Lowpass
- SMA Connectors
- 500  $\Omega$  Source and Load

## Typical Performance

**Passband Amplitude**  
(1 dB/div)



**Overall Response**  
(10 dB/div)



KR Electronics, Inc.  
91 Avenel Street  
Avenel, NJ 07001

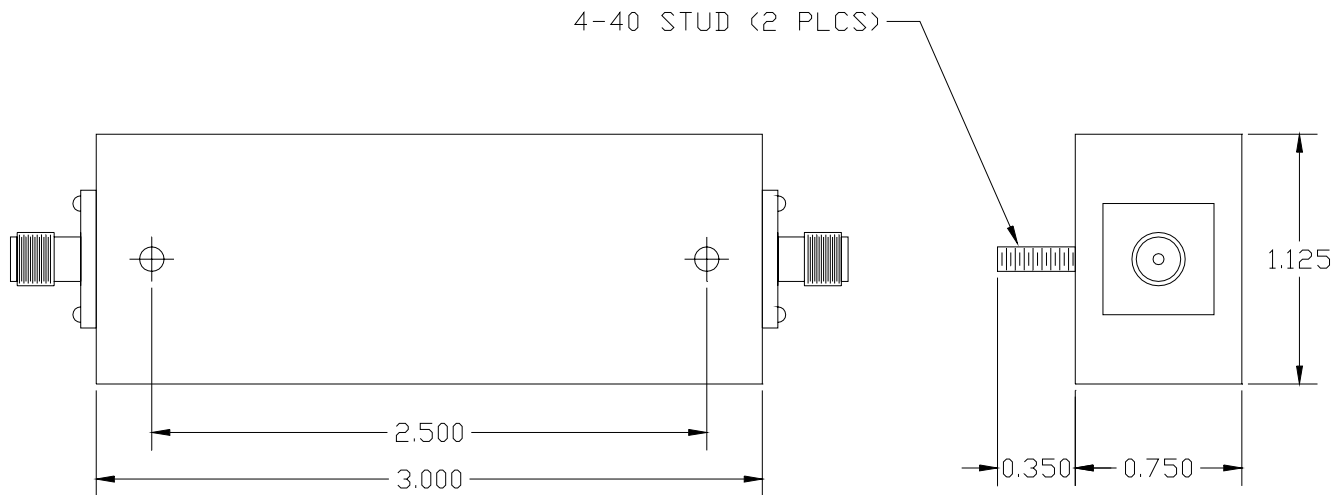
Web [www.krfilters.com](http://www.krfilters.com)  
Email [sales@krfilters.com](mailto:sales@krfilters.com)  
Phone (732) 636-1900  
Fax (732) 636-1982

# KR Electronics 2826

## Specifications

Parameter	Specification
Filter type	Lowpass
End of Passband <1.5 dB	45 KHz
Start of Stopband >30 dB	50 KHz
Source and Load	500 Ω

## Physical Dimensions



**Notes:**

1. Dimensions in inches
2. SMA(f) connectors 2 plcs